

AURORALIGHT

PROJECT: _____

SKU #: _____

TYPE: _____

HD EXTENDABLE RISER

RSR186319

The Heavy Duty Riser, part of a complete line of risers from Auroralight, is designed to specifically complement the scale and demanding weights of larger and heavier fixtures. The Riser equips designers and installers with a heavy-duty solution for maturing shrubs or thick ground covers that are overtaking light fixtures.

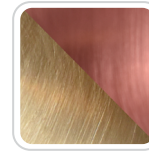
- Perfect for maturing shrubs and thick ground covers
- Ideal for heavyweight fixtures

CONFIGURATOR:

RSR186319	FINISH
() = Most common configuration	<input type="checkbox"/>
	(NAT) Natural Brass
	(BLP) Bronze Living Patina
	(BLPX) Extra Dark BLP
	(NI) Nickel PVD



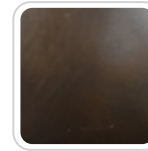
AVAILABLE FINISHES:



NAT
Natural Brass/
Copper



BLP
Bronze Living
Patina



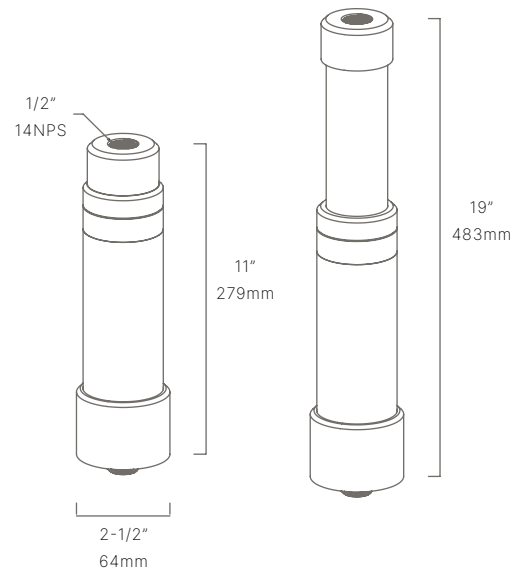
BLPX
Extra Dark Bronze
Living Patina



NI
Nickel PVD

DIMENSIONS	Min. H11" Max H19"
VOLTAGE	12V
FINISH	Included Natural
MATERIAL	Brass & Copper

*For complete warranty terms, please visit: www.auroralight.com/warranty/



P. 760.931.2910

O. 2742 Loker Ave. W Carlsbad CA 92010

W. www.auroralight.com

MADE IN USA
WITH DOMESTIC & IMPORTED MATERIALS

